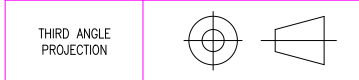
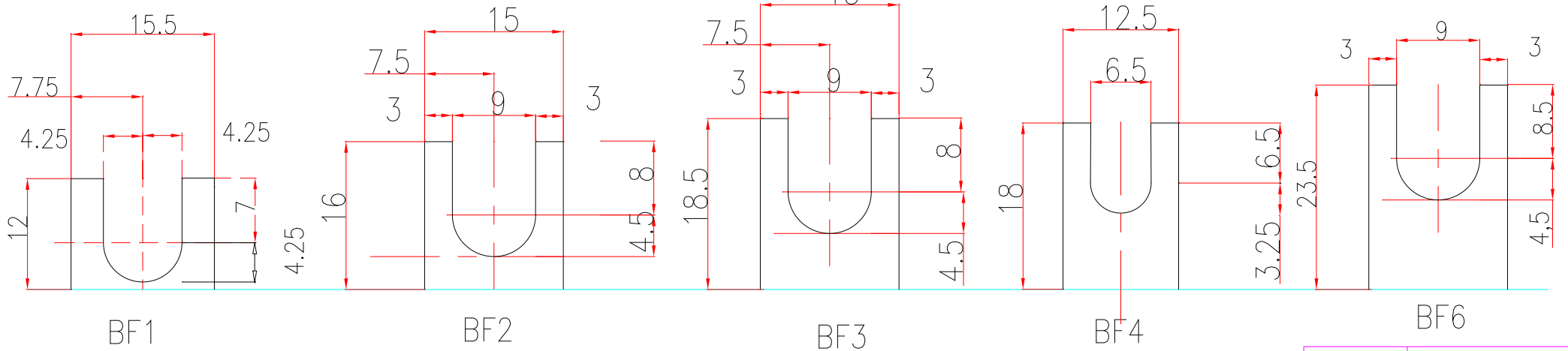
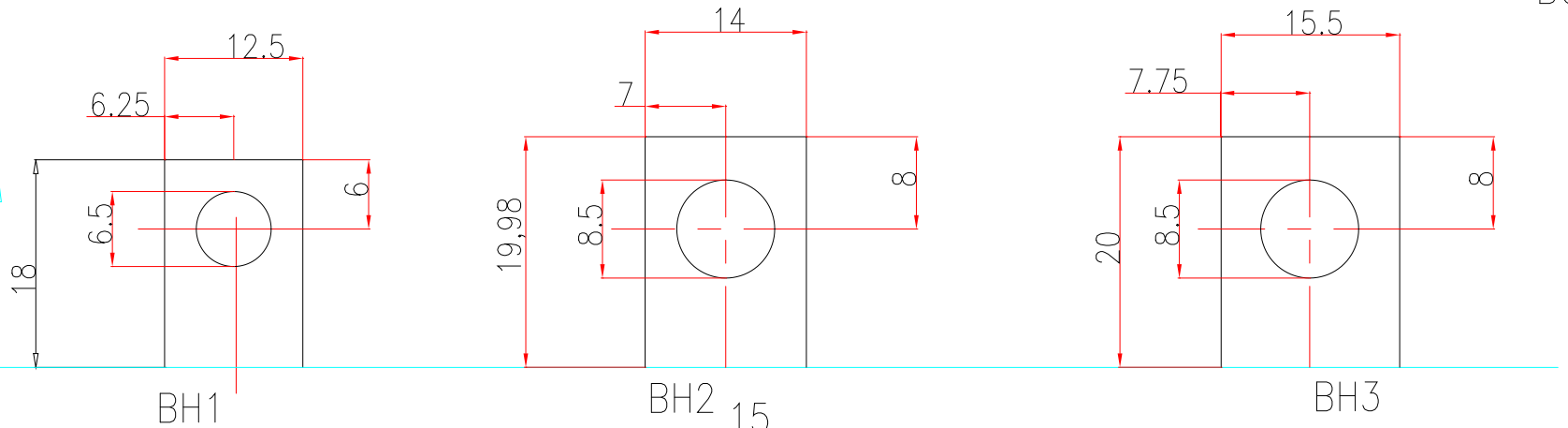


This is the face of the Bloc unit



DRAWING TITLE			
Some Bloc outgoing terminals			
REVISIONS	1	2	3
	4	5	6
	7	8	

DATE	1 Sept 2012
DRAWN	bt
TRACED	
CHECKED	bb

DEPT.	Millennium Production
SCALE	nts
DRAWING NO.	
	Bloc outgoing terminals